

ZKONG
THE GLOBAL LEADING ESL INNOVATOR

ZKONG NETWORKS SMART RETAIL PRODUCT BROCHURE

CONTACT US



ZKONG NETWORKS CO., LTD

- 📍 12th floor, Building 17, Singapore Tech Park, Hangzhou, China
- ☎ 400-856-9811
- ✉ E-mail: info@zkong.com



A Guidebook of ZKONG's
ESL Accessory

COMPANY PROFILE

ZKONG NETWORKS is an INNOVATOR and solution-driver of Cloud Electronic Shelf Label (ESL), offering retail industry with the most valuable ESL system and a number of revolutionary IoT solutions.

With the advanced technologies of cloud structure and wireless communication, ZKONG has perfectly met the various demands of thousands of stores around the world. The cloud ESL total solution for IoT retail helps stores effectively reduce costs, optimize work flow and efficiency, and improve their brand competitiveness, achieving more efficient digital transformation and more intelligent shopping experience.



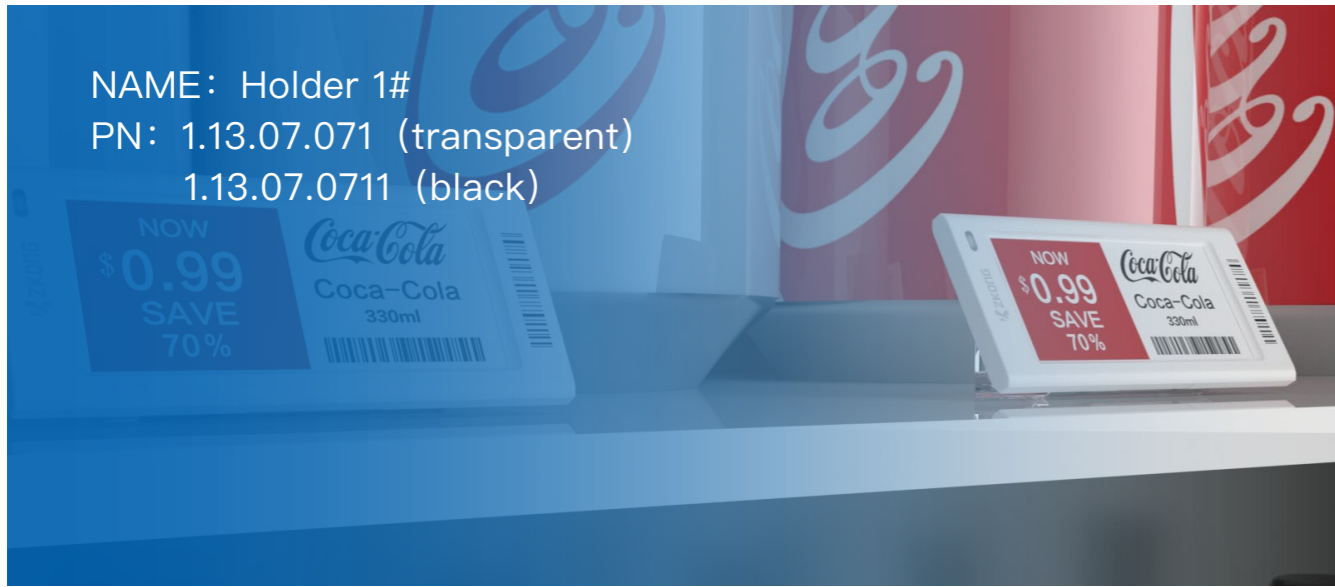
CONTENTS

Holder	3-6
Wall Mounting Kit	7-8
Ice Pin/Floor Stand	9-10
Card Holder	11
Clamp	12-16
Round Ring/Hanging Kit	17-18
Vertical Clamp	19-20
Adjustable T Hook/S Hook	21-22
T Mount 4#/Remove Tool	23-24
Rail	25-30
Rail End Cap/Incline Spacer	31-32

The Advanced Manufacturing Base and R&D Center

Manufacture cloud ESL and wireless communication device

NAME: Holder 1#
PN: 1.13.07.071 (transparent)
1.13.07.0711 (black)



NAME: 3.7"&4.2" Holder
PN: 1.13.07.072

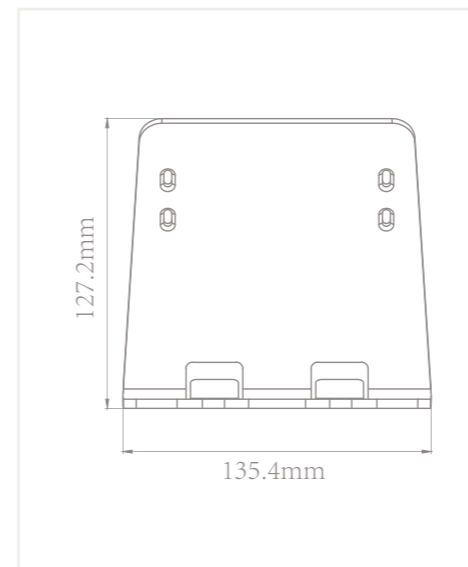
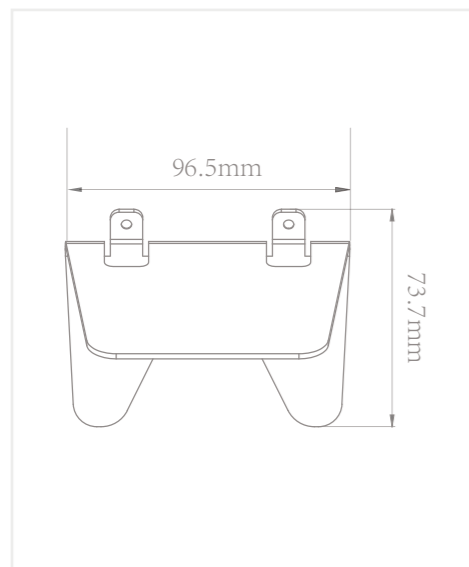


CASE



CASE

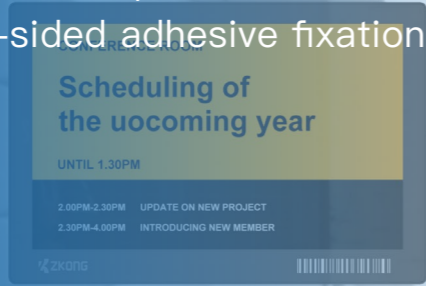




Wall Mounting Kit

1.13.07 Series

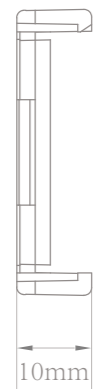
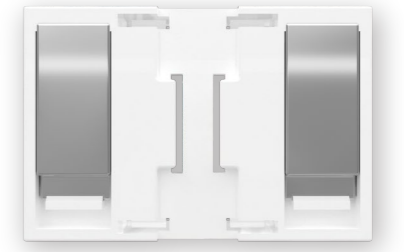
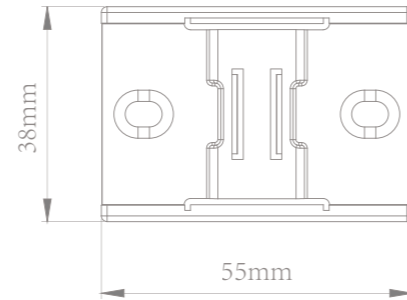
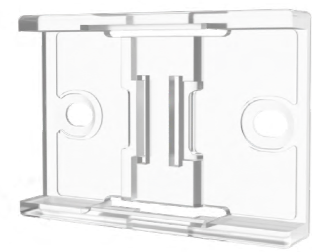
NAME: Wall Mounting Kit (back clip)
 PN: 1.13.07.0601 (screw fixation)
 1.13.07.0602(double-sided adhesive fixation)



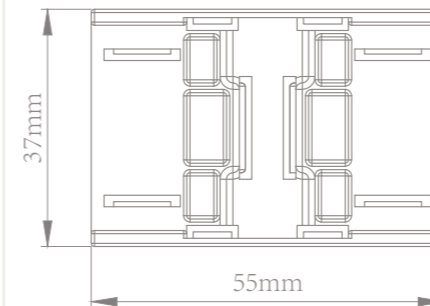
Wall Mounting Kit

1.13.07 Series

NAME: Wall Mounting Kit (magnetic back clip)
 PN: 1.13.07.074



CASE



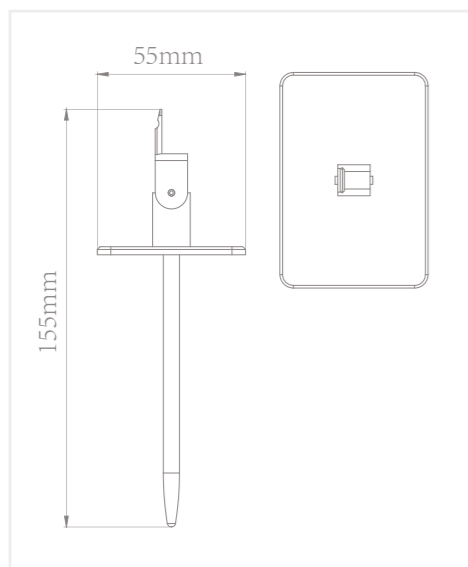
CASE



Ice Pin

1.13.07 Series

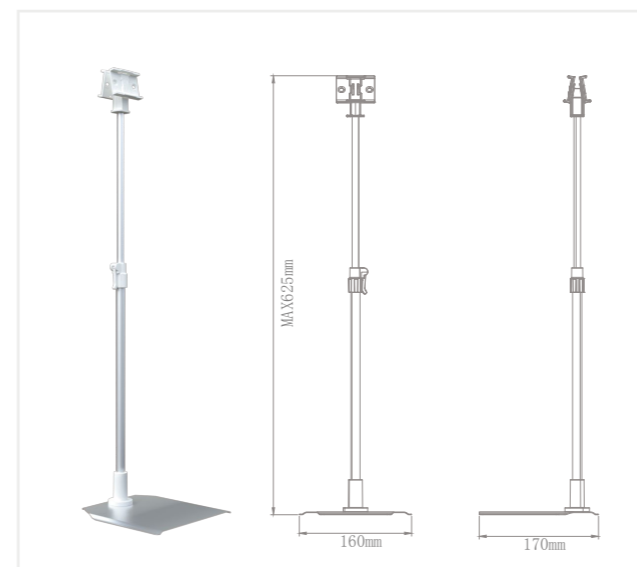
NAME: Ice Pin
PN: 1.13.07.003



Floor Stand

1.13.07 Series

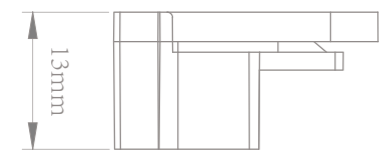
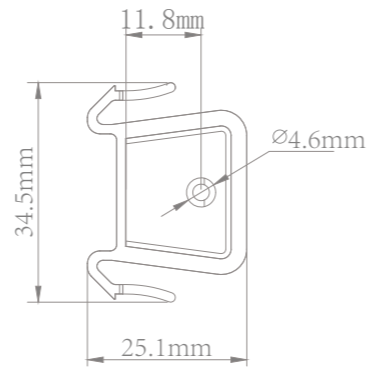
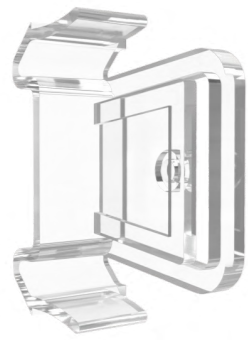
NAME: Floor Stand
PN: 1.13.07.030(used together with back clip)
1.13.07.0301(applicable to 5.8" and above sizes, screw fixation)
1.13.07.0302(double-sided floor stand)



Card Holder

1.13.07 Series

NAME: Card Holder
PN: 1.13.07.059



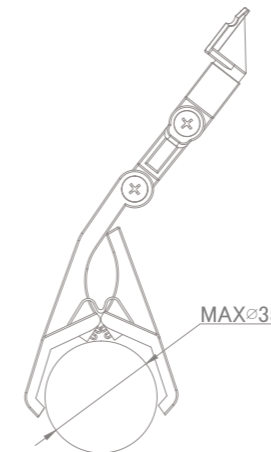
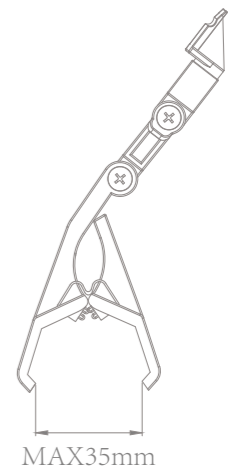
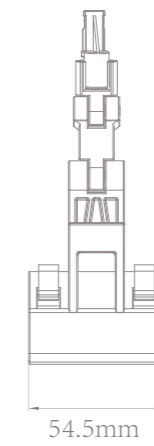
CASE



Clamp

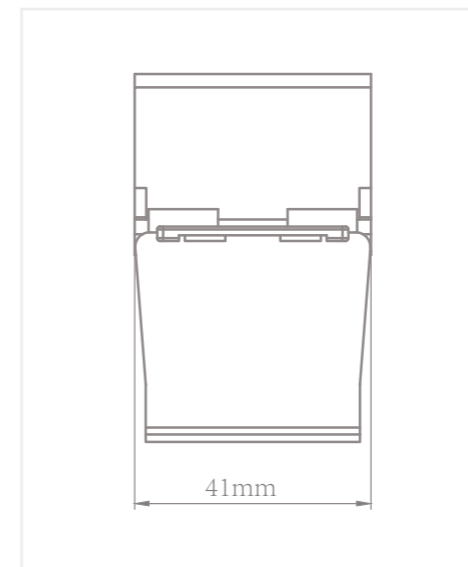
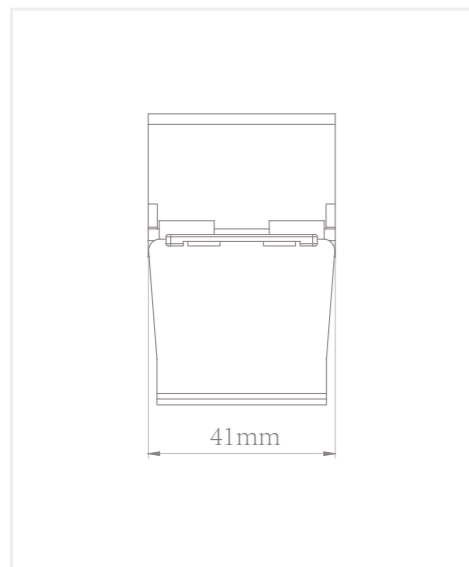
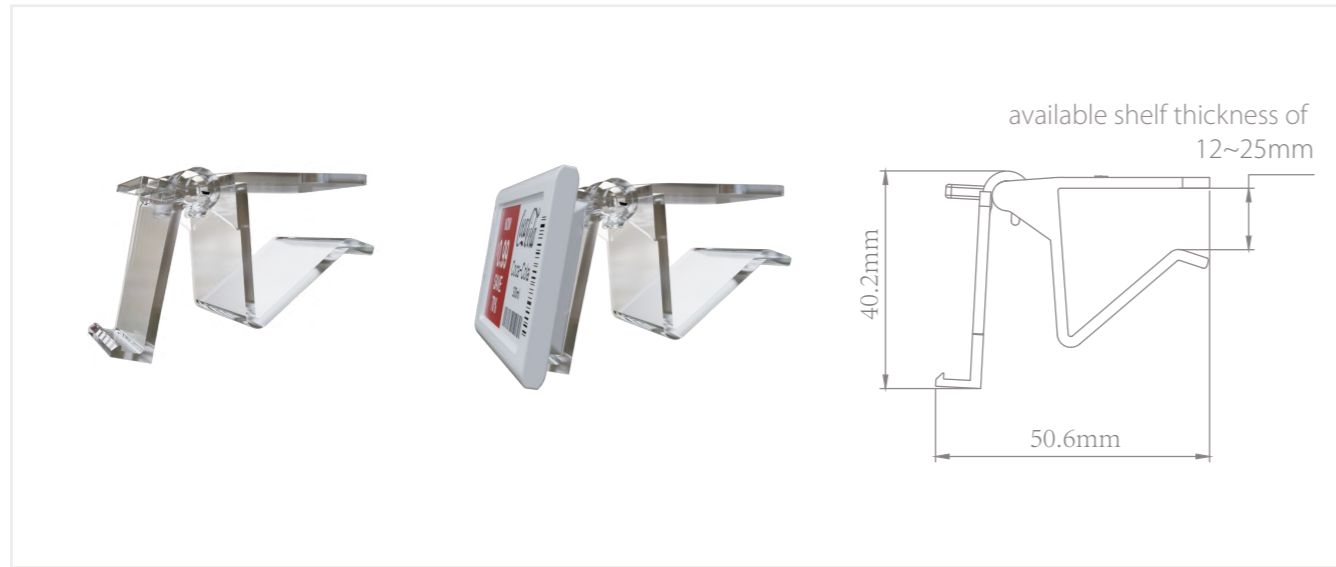
1.13.07 Series

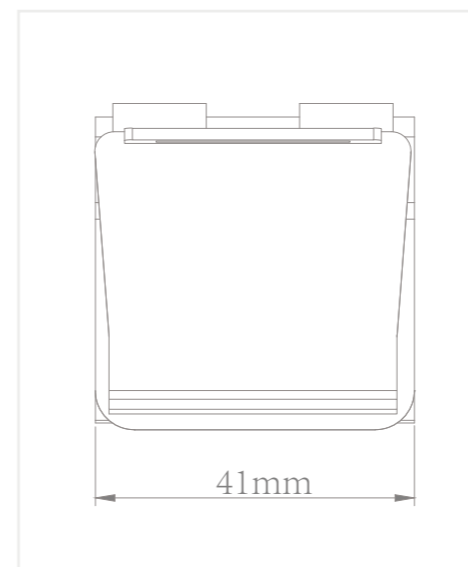
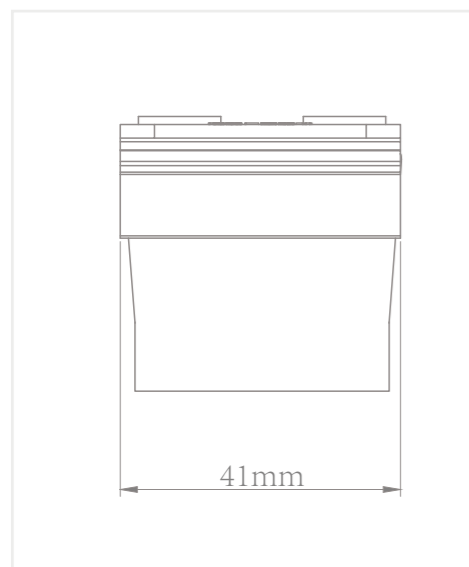
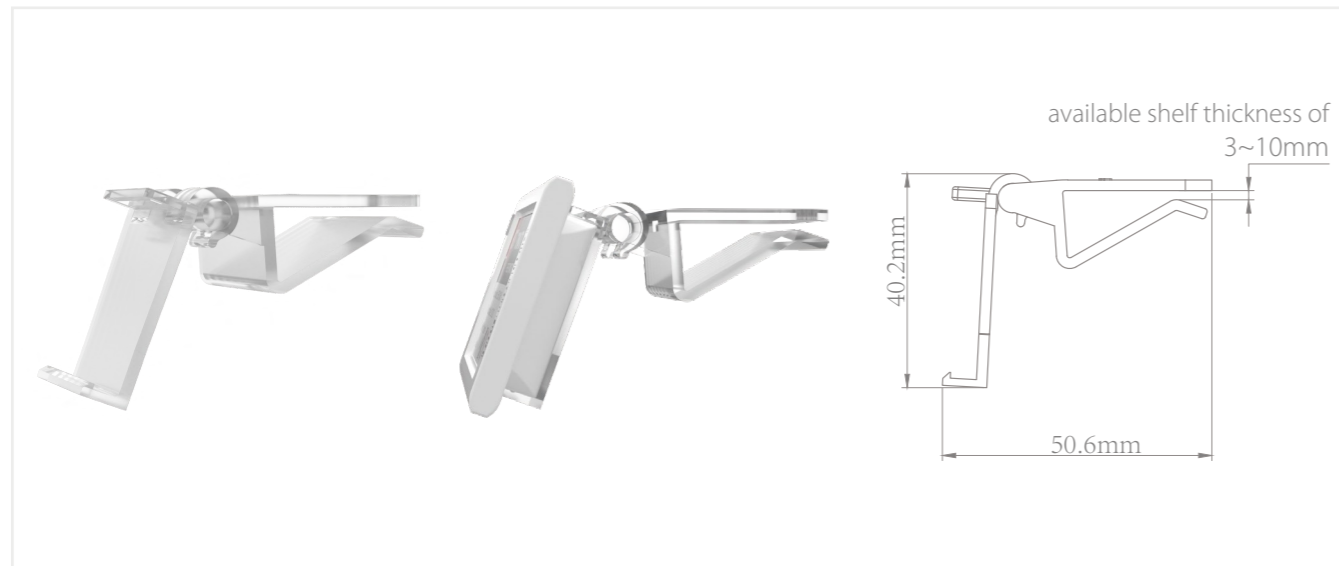
NAME: 4.2"Clamp
PN: 1.13.07.0001



CASE

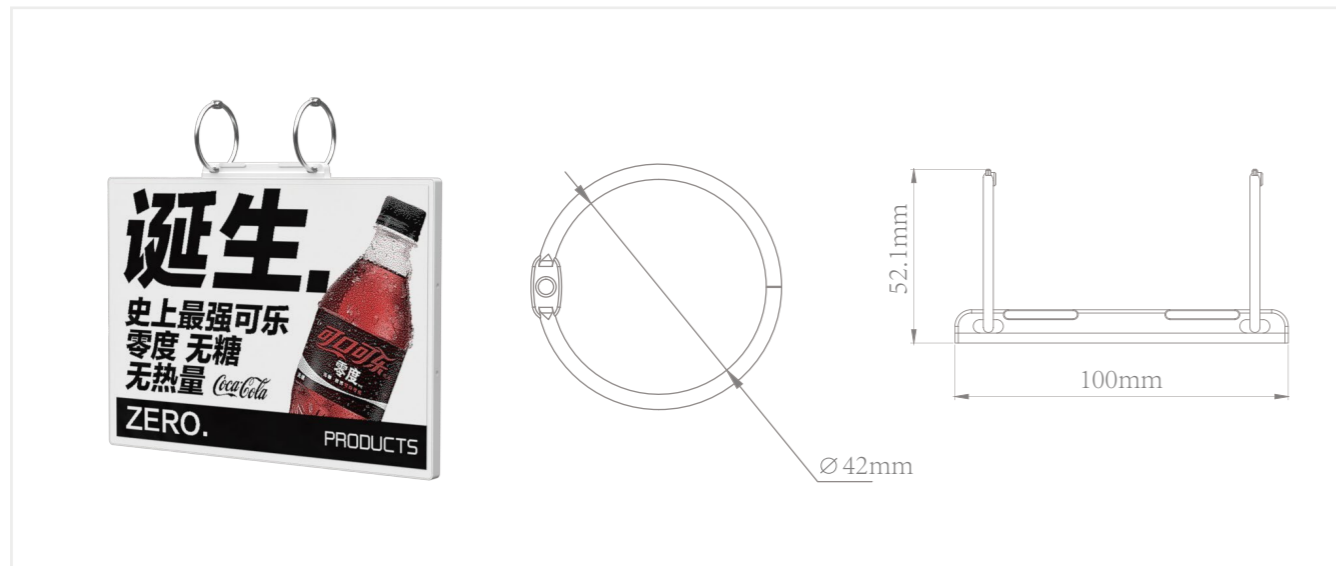
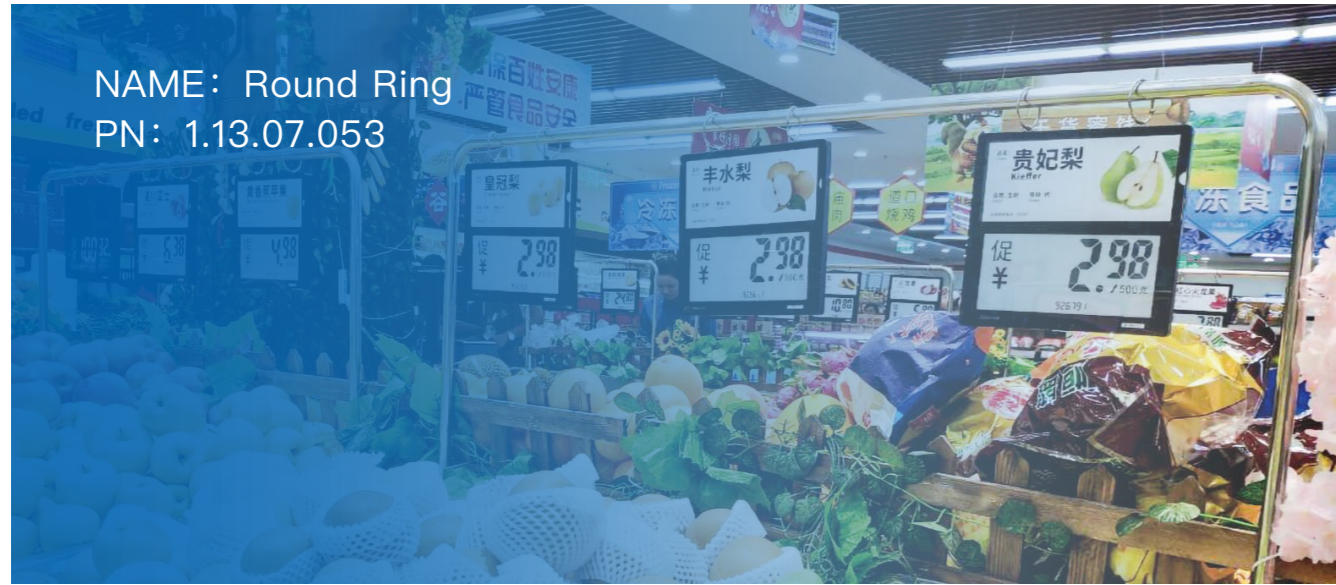






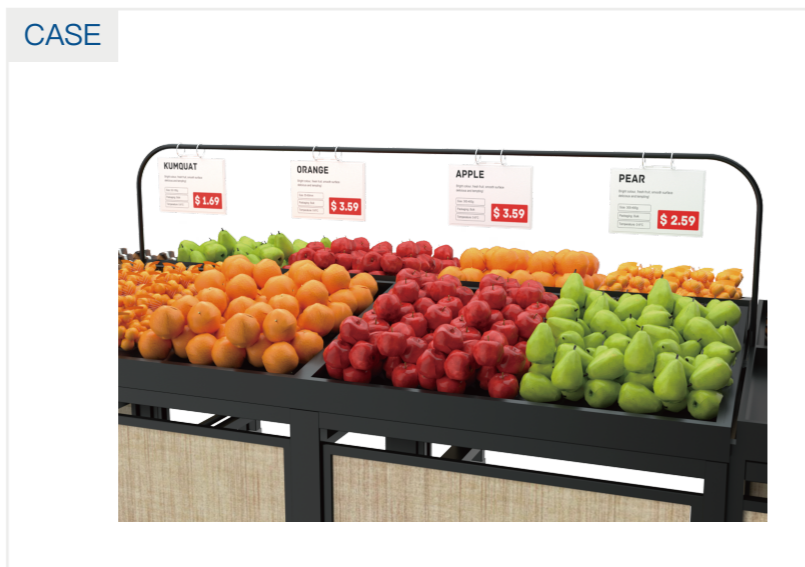
Round Ring

1.13.07 Series



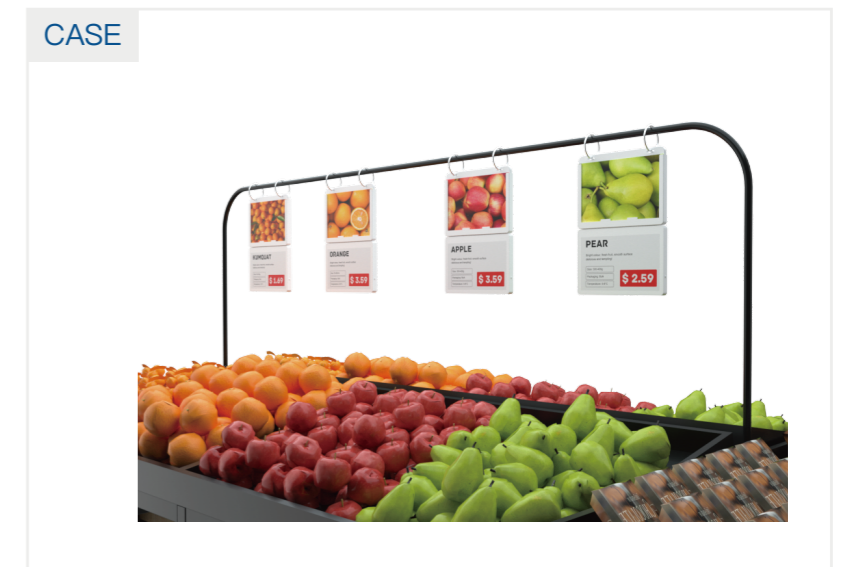
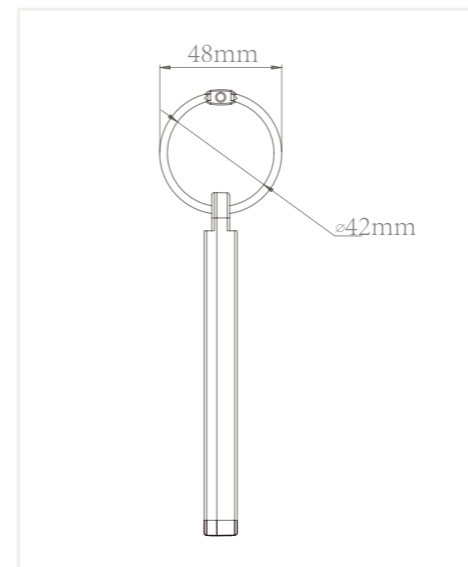
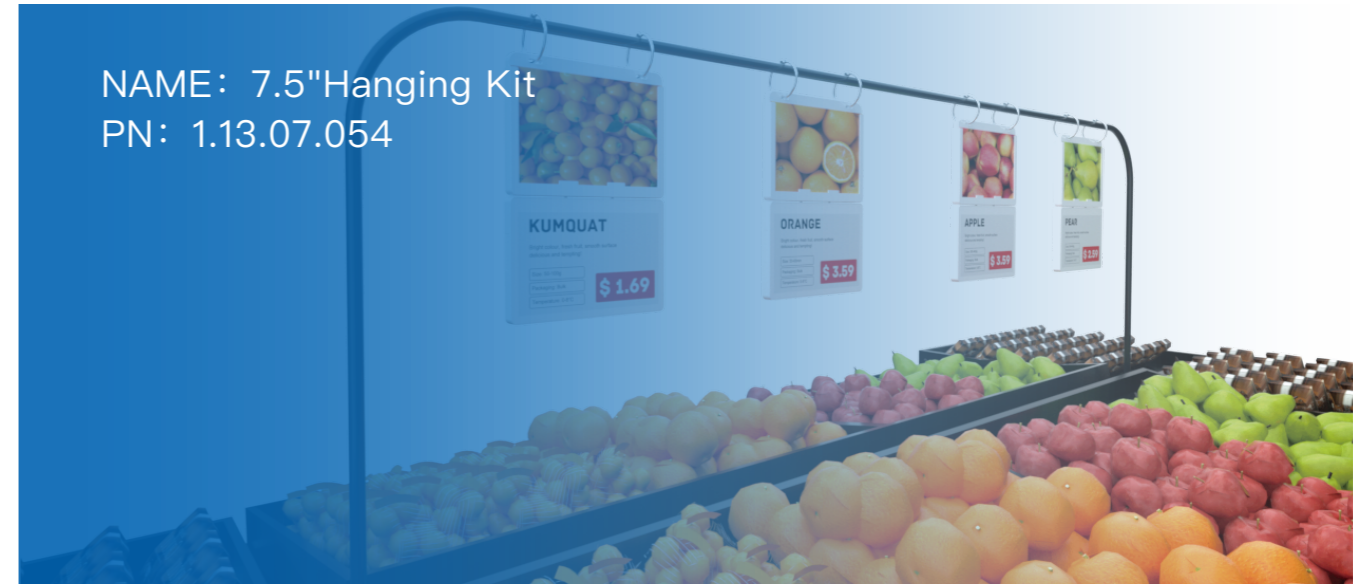
Assembly List:

- 1.round ring*2pcs
- 2.hanger*1pcs
- 3.screw M3x10*2pcs



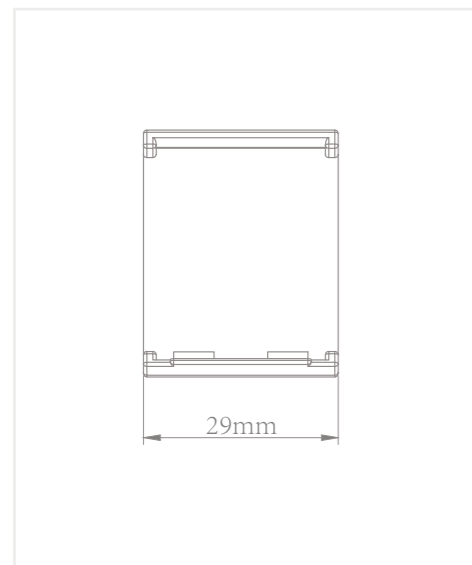
Ring Hanger Assembly

1.13.07 Series



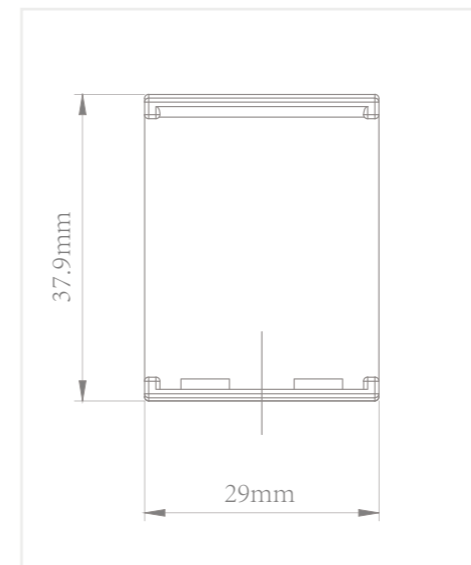
Vertical Clamp 2#

1.13.07 Series



Vertical Clamp 1#

1.13.07 Series

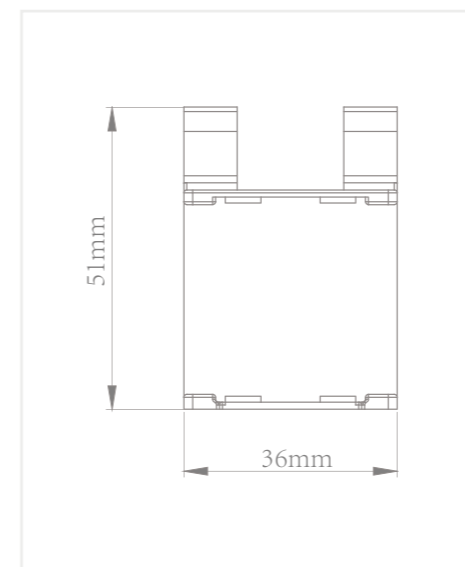
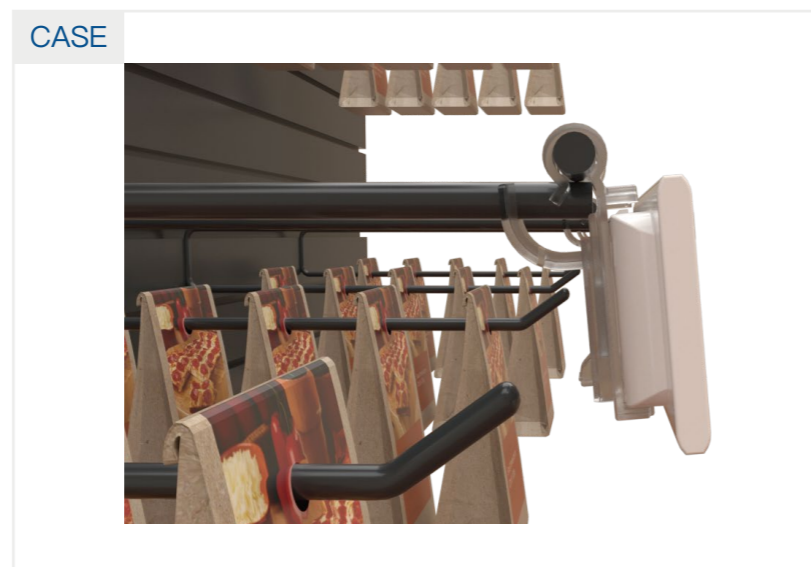
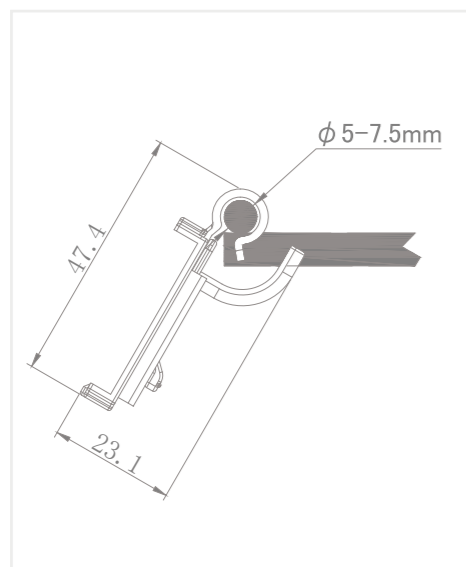
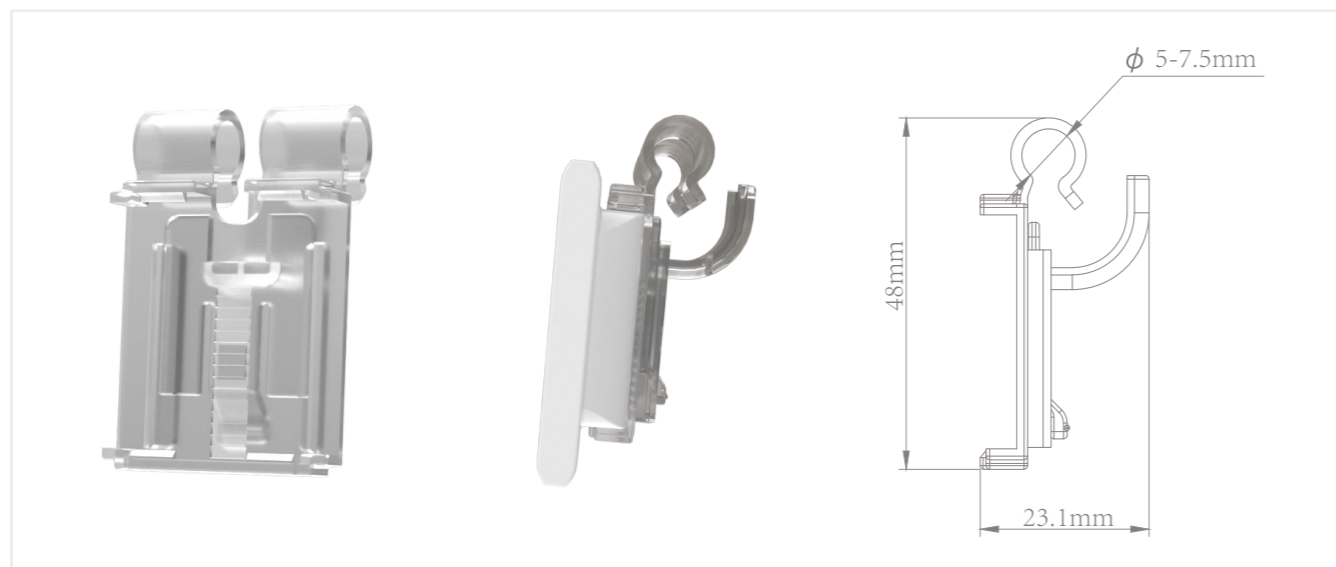
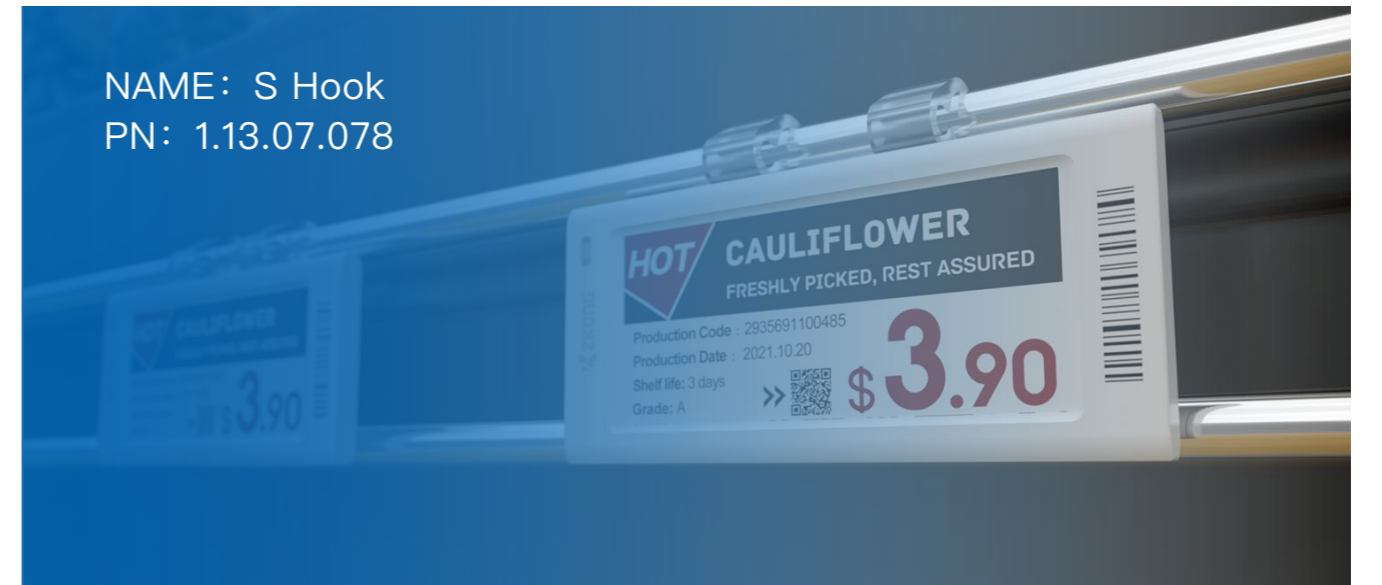


Adjustable T Hook

1.13.07 Series

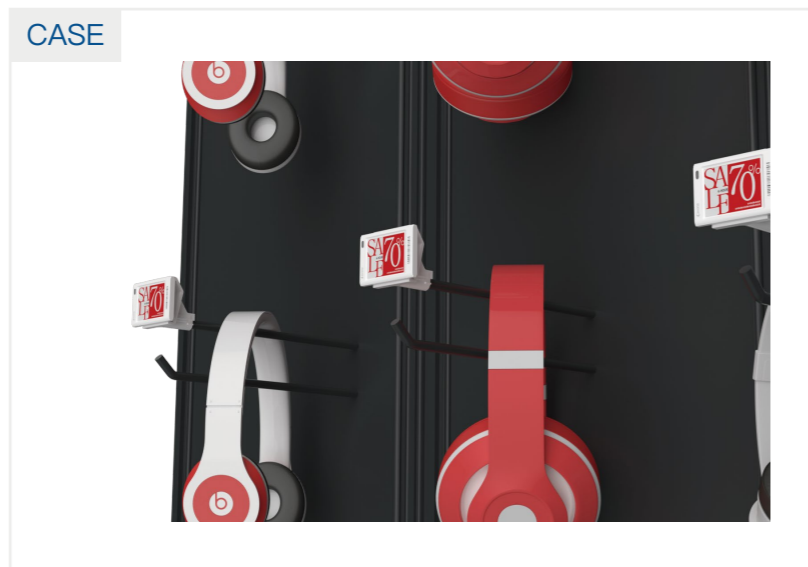
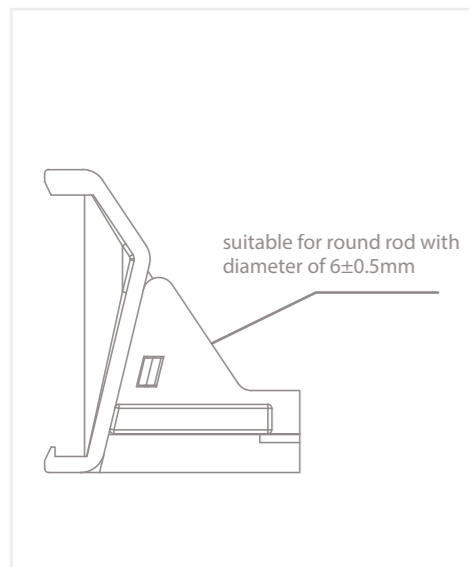
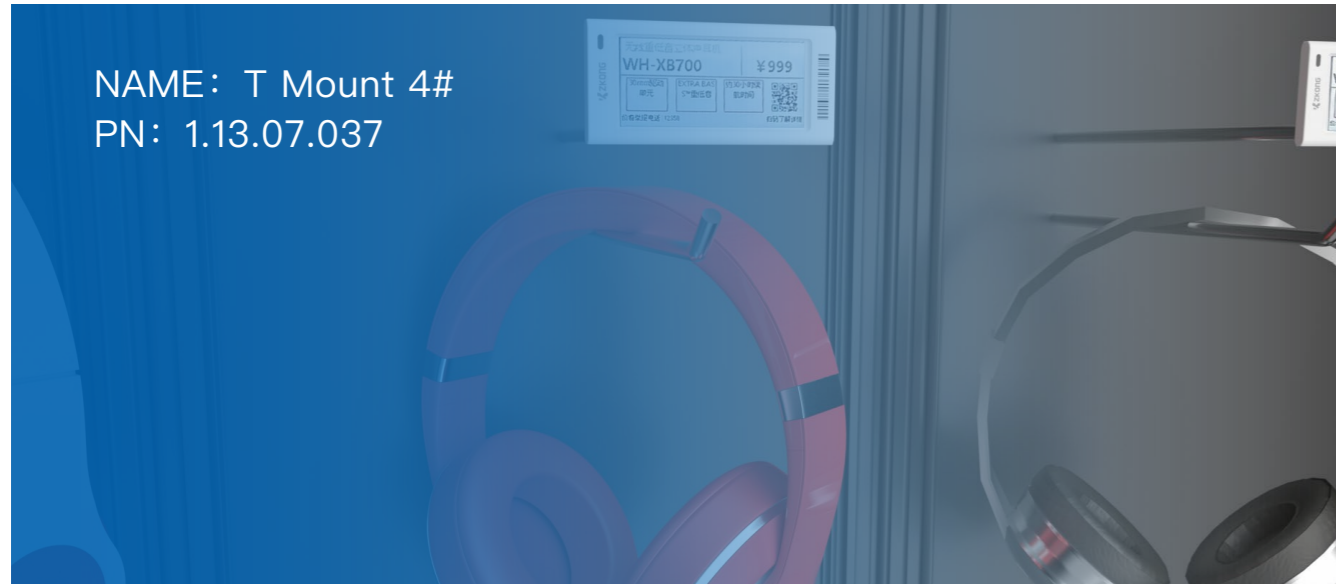
S Hook

1.13.07 Series



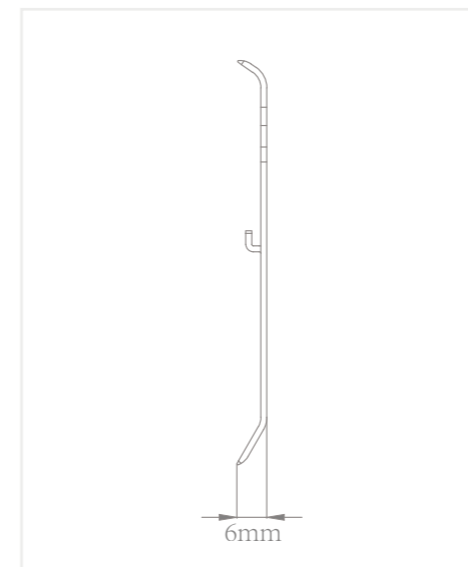
T Mount 4#

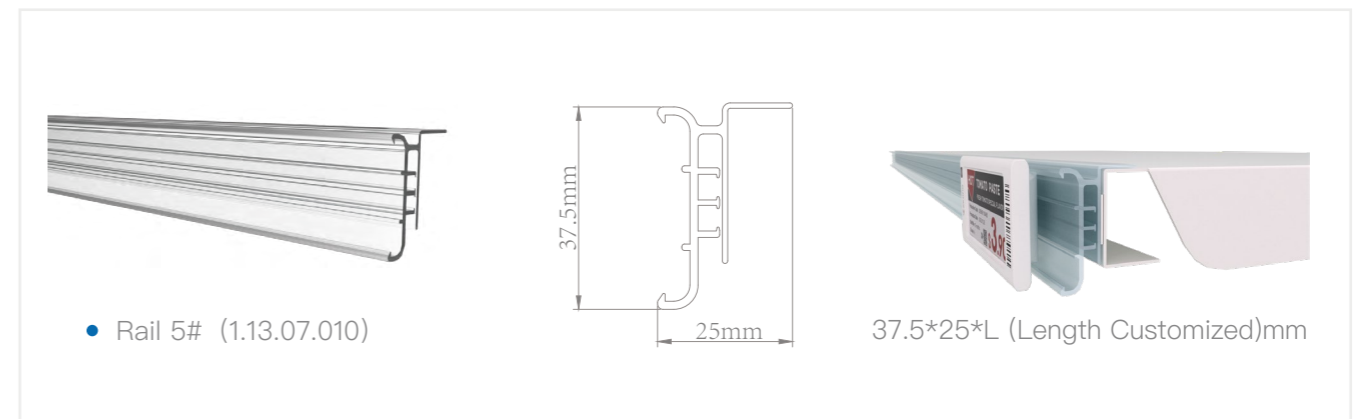
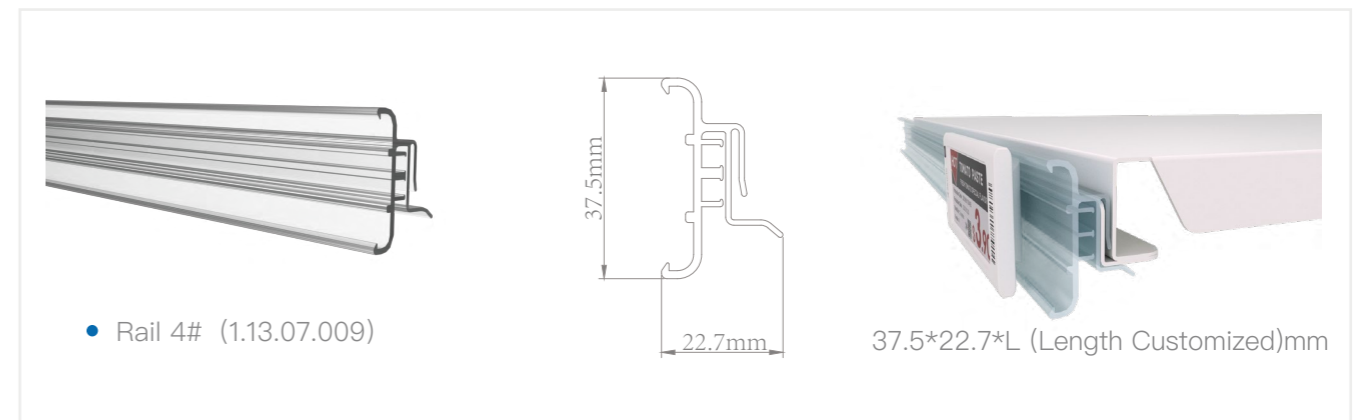
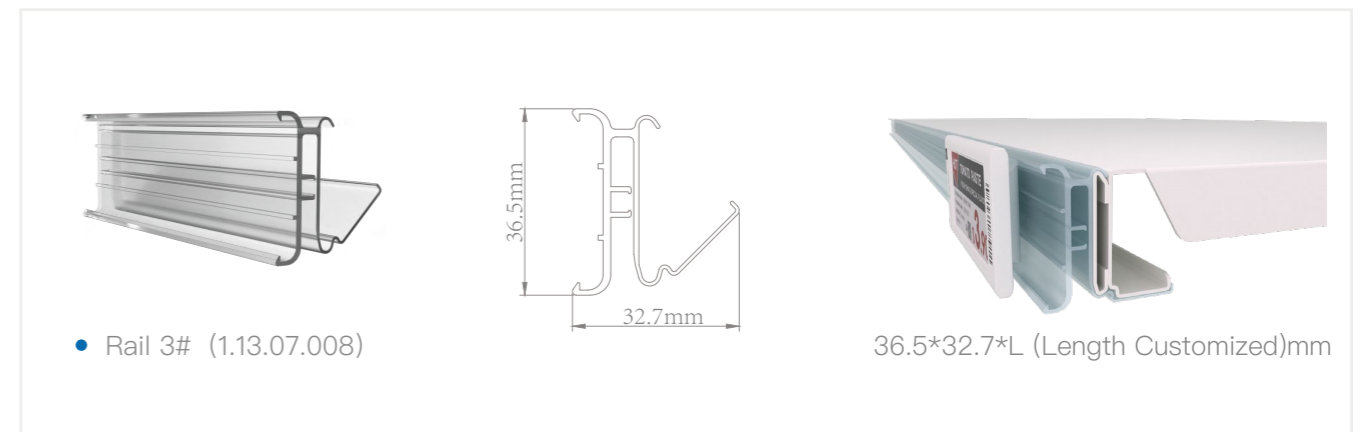
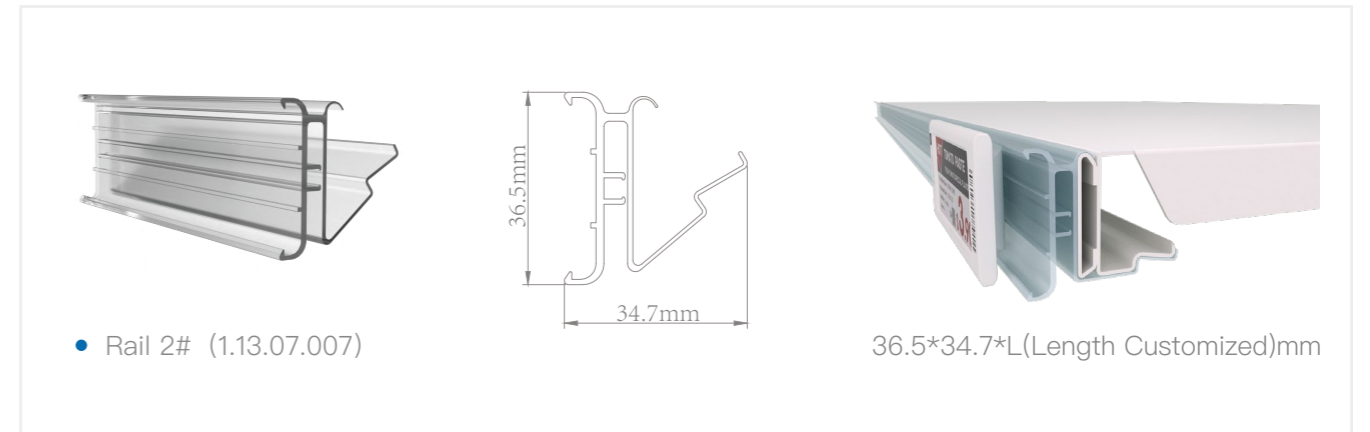
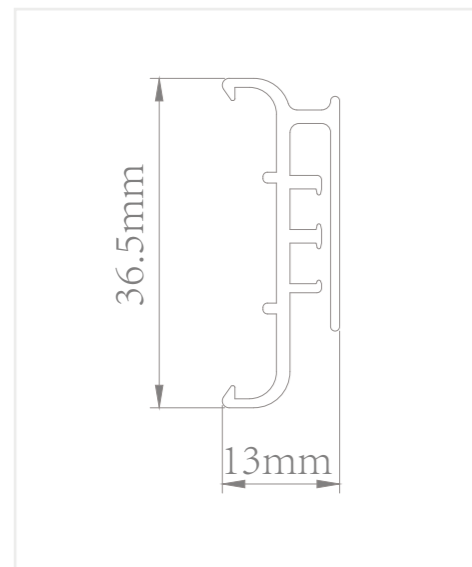
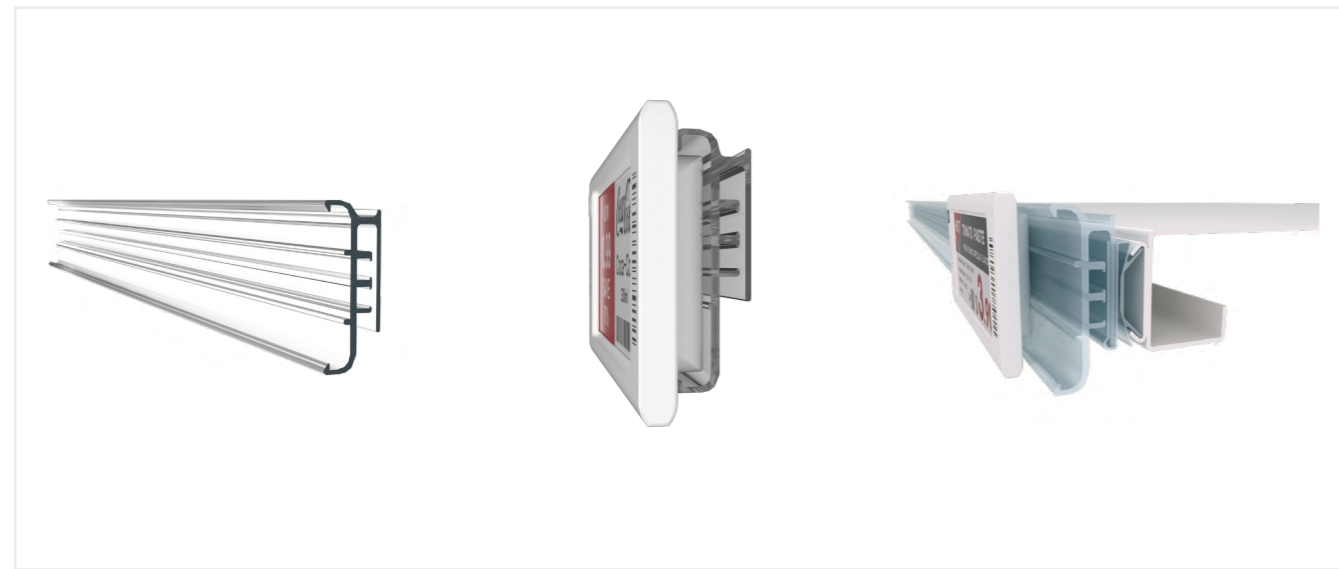
1.13.07 Series

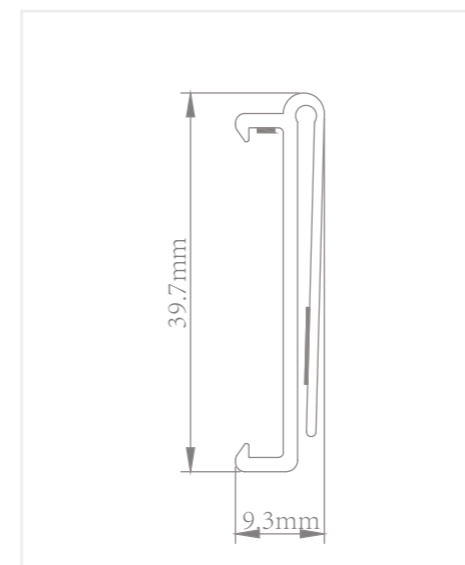
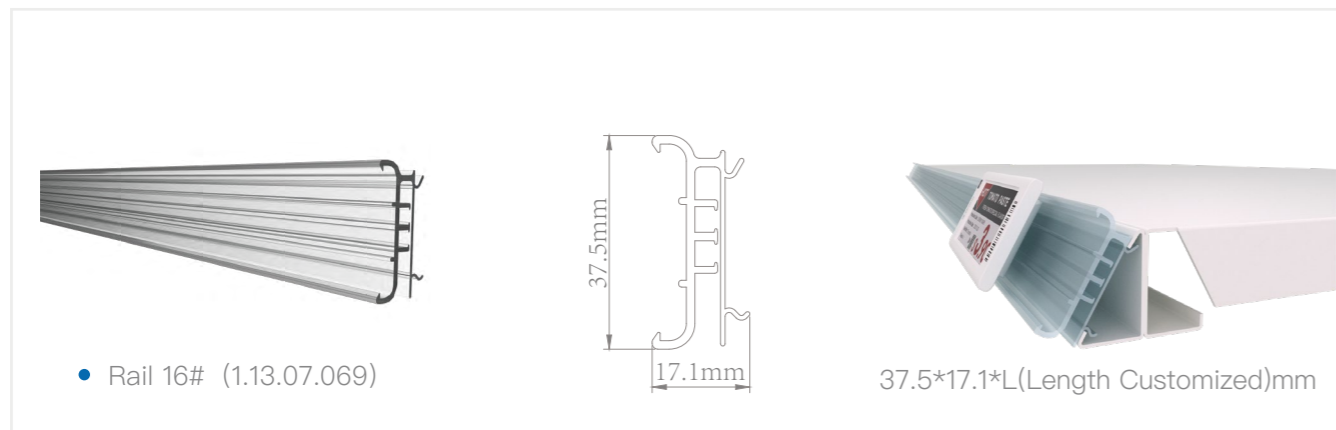
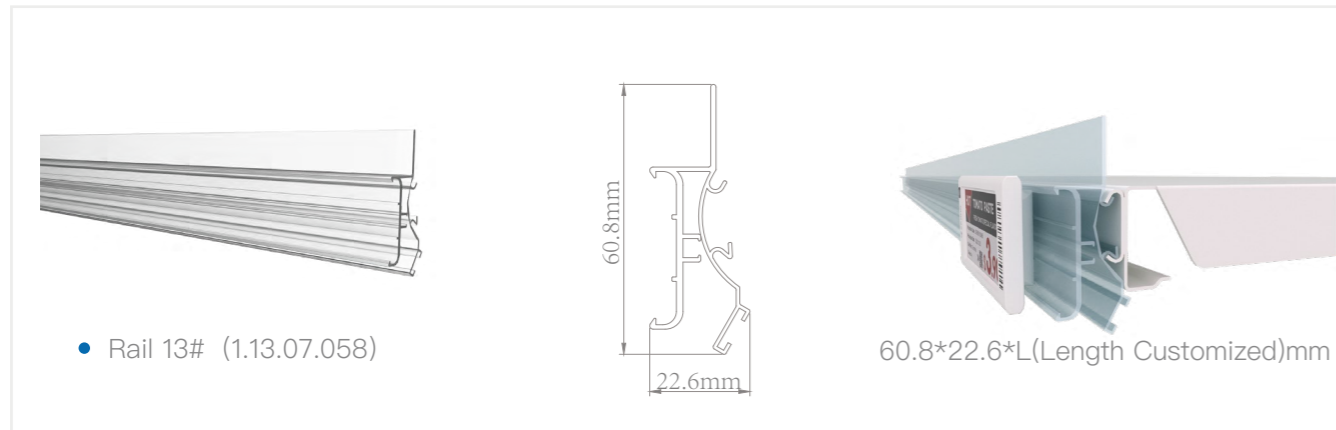
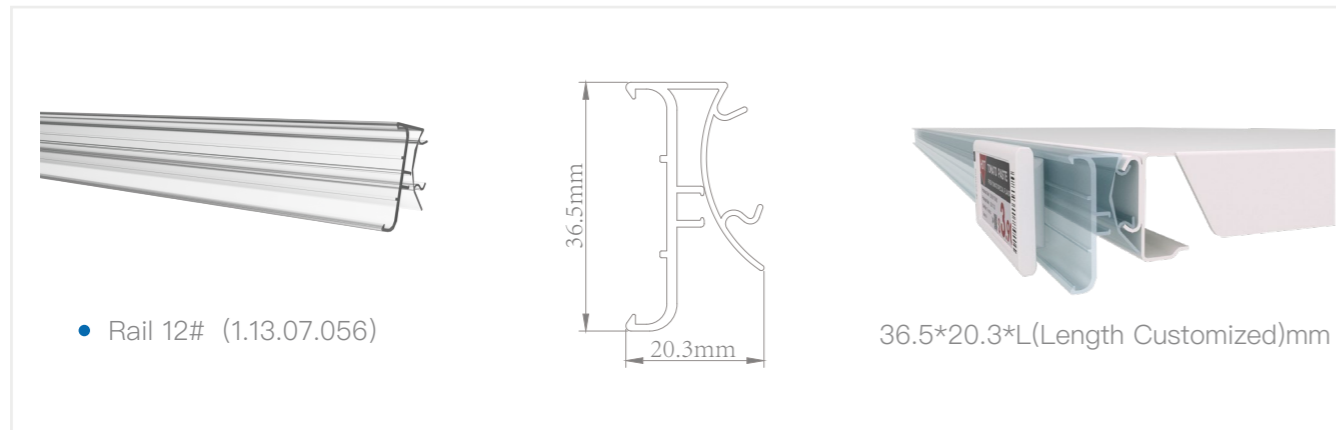
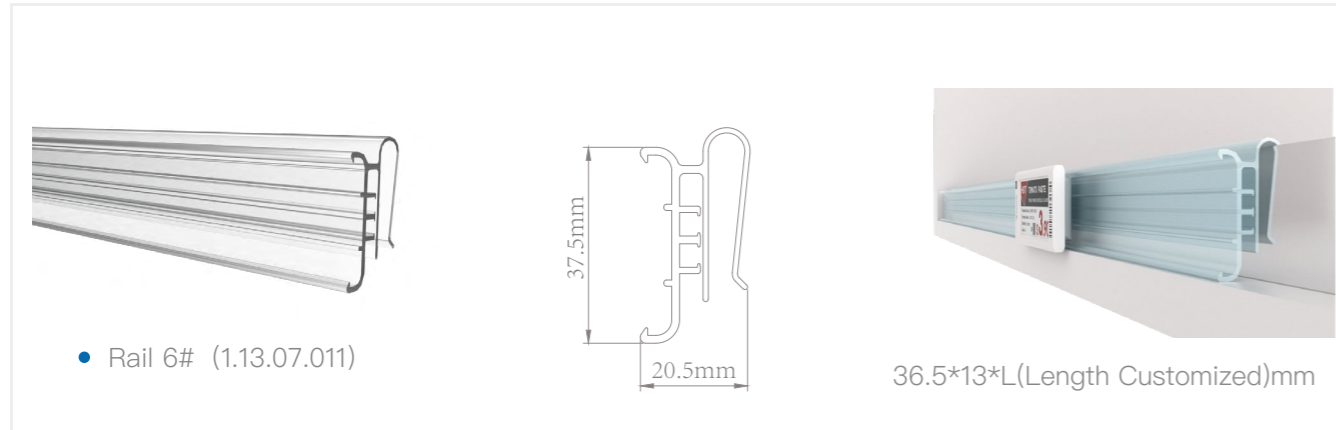


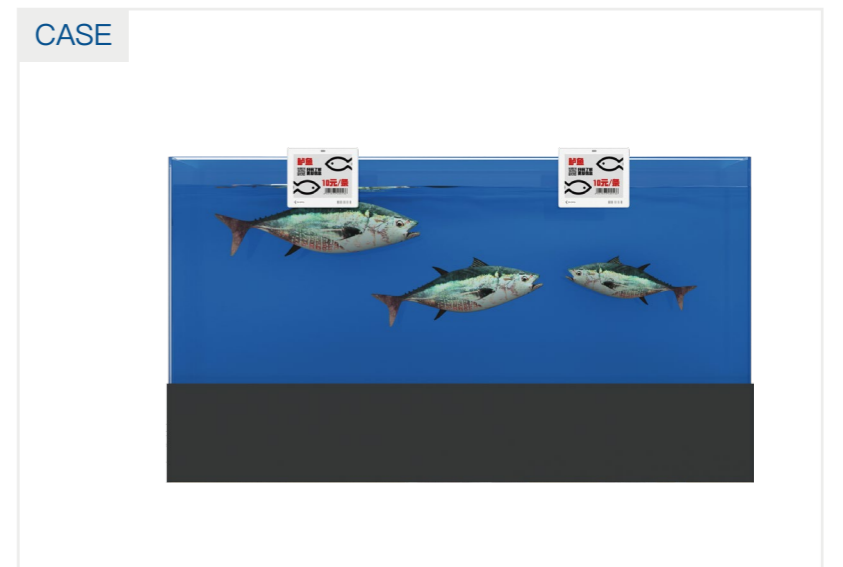
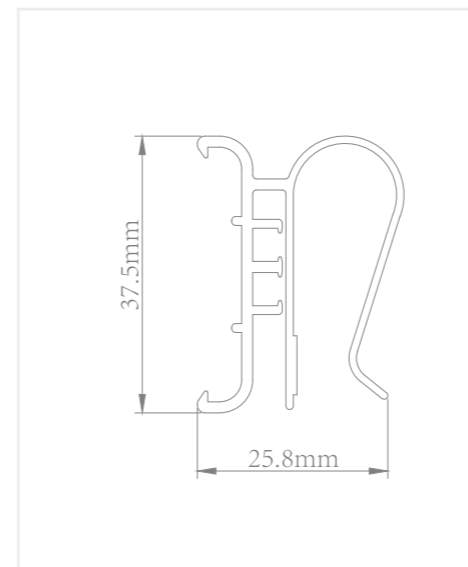
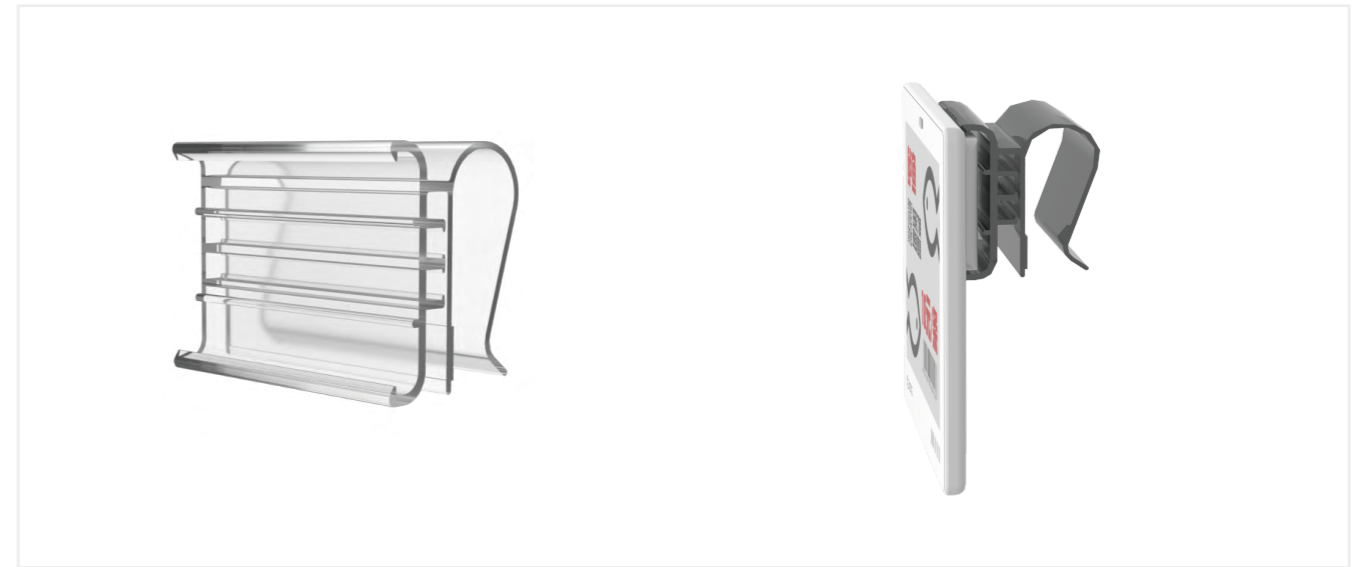
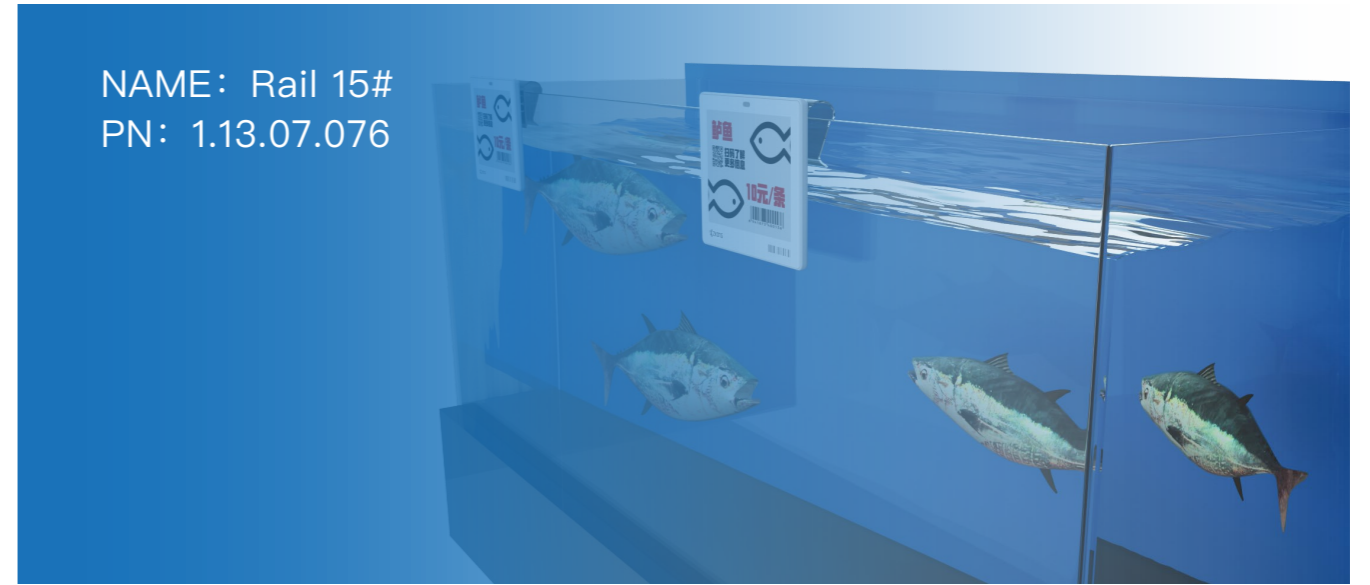
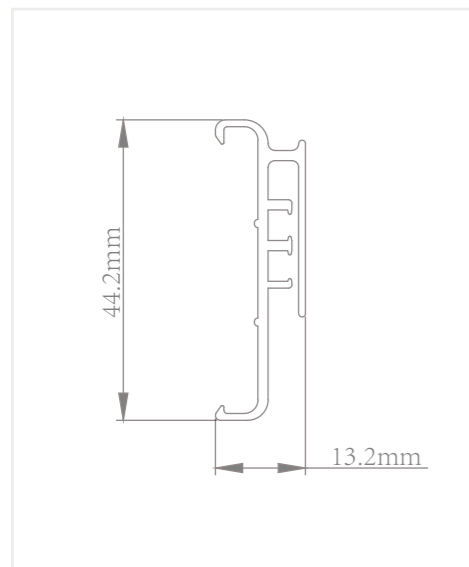
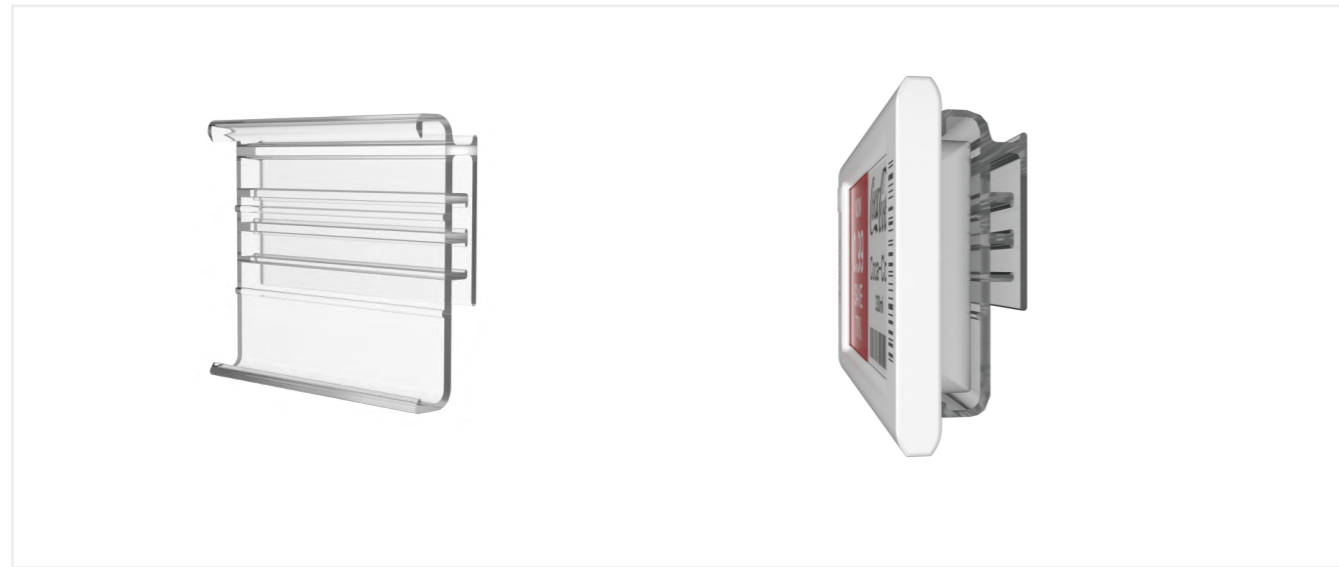
Remove Tool

1.13.07 Series





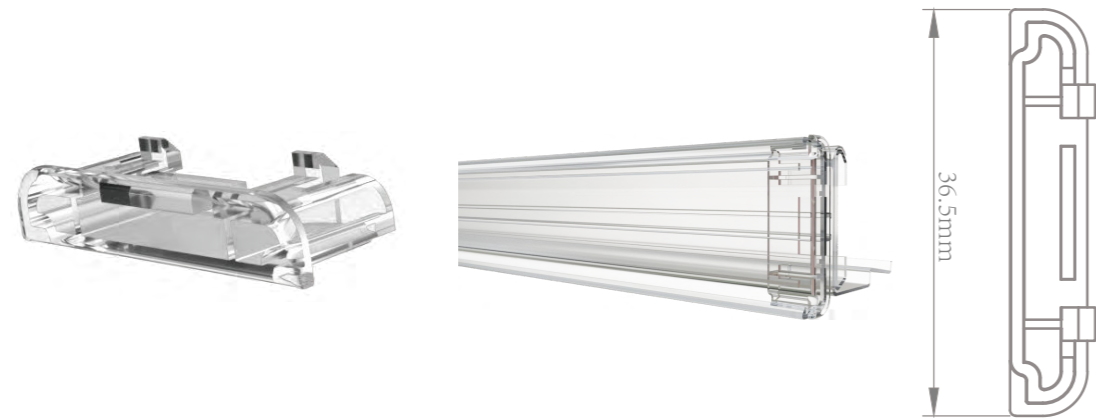




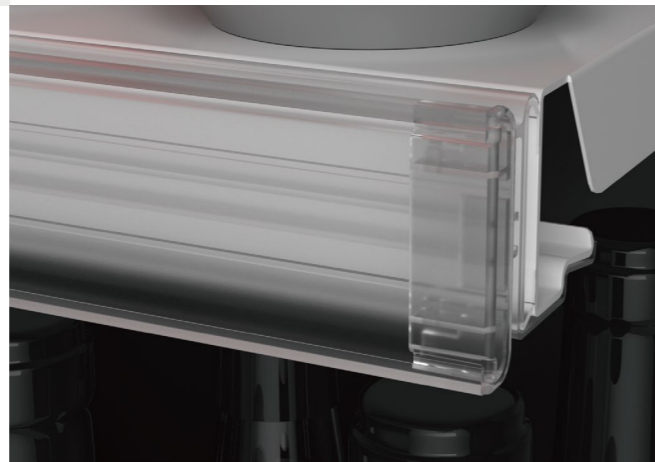
Rail End Cap

1.13.07 Series

NAME: Rail End Cap
PN: 1.13.07.014(transparent)
1.13.07.0141(black)



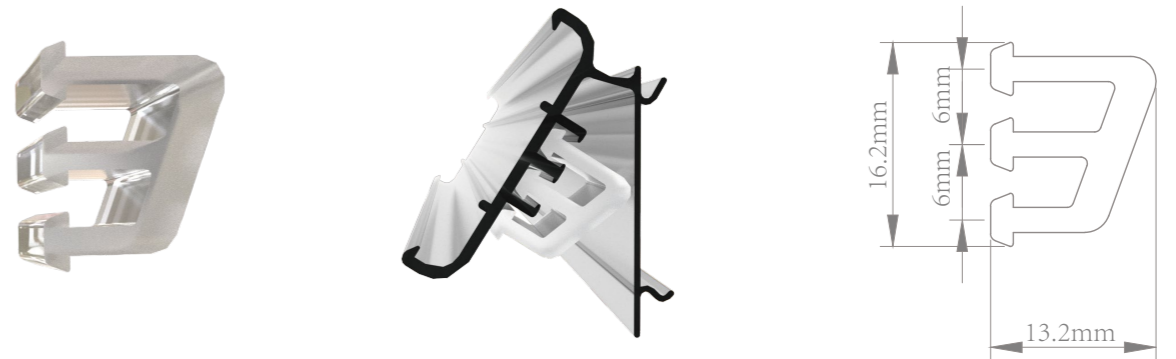
CASE



Rail Incline Spacer

1.13.07 Series

NAME: Incline Spacer
PN: 1.13.07.0151



CASE

